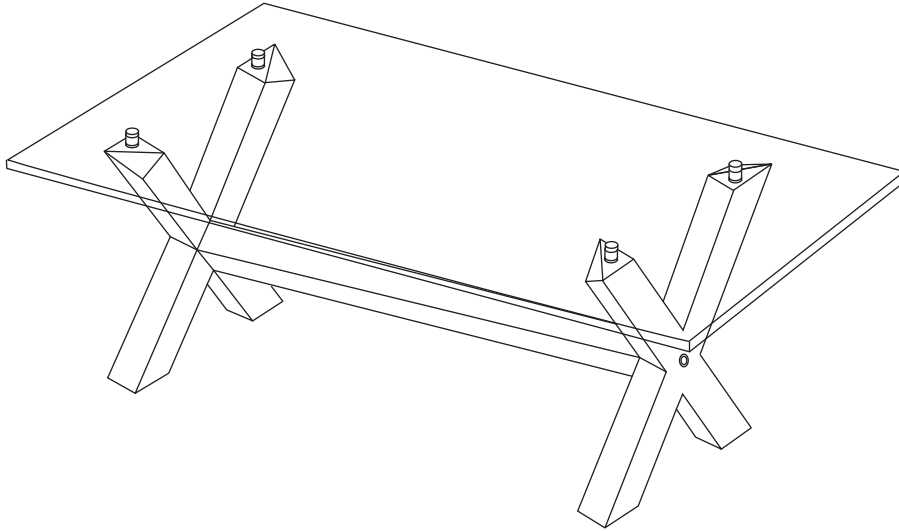


## ASSEMBLY INSTRUCTION - DINING TABLE



Thank you for purchasing this Dining Table from IN LIVING. Please read the instructions and warnings carefully before use to ensure safe installation and operation of this product.

### RECOMMENDED TOOLS



WASHER A



SPRING WASHER B



BOLT



ALLEN KEY

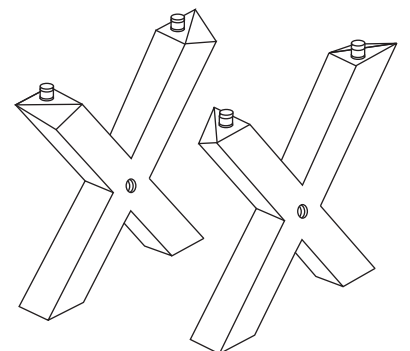
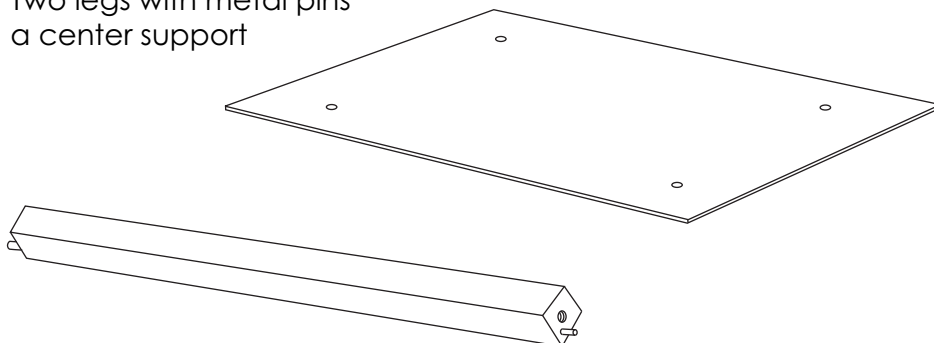
### Please ensure leaflet is read in full and retained for future reference.

This product is **HEAVY**, please unwrap the table carefully, ensuring it is as close as possible to point of use. **Take care when lifting** to avoid personal injury and (or) damage to the product.

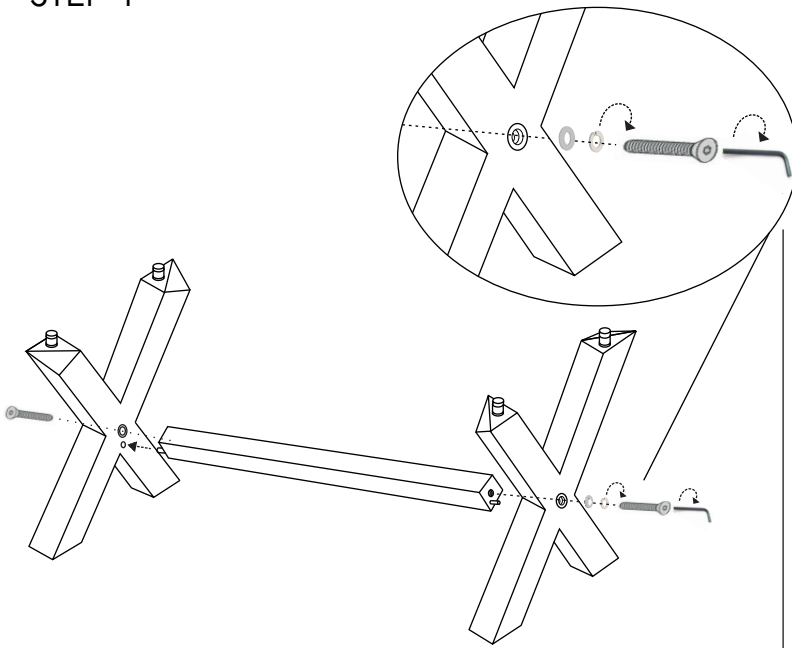
### COMPONENTS

Please open the carton box after positioning the flat side down. Your box should contain the following:

- 1) Glass top with holes
- 2) Two legs with metal pins
- 3) a center support

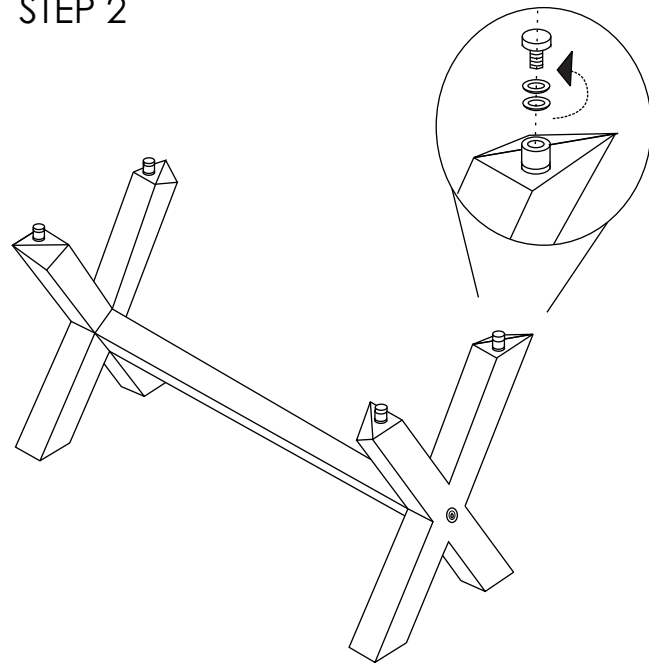


### STEP 1



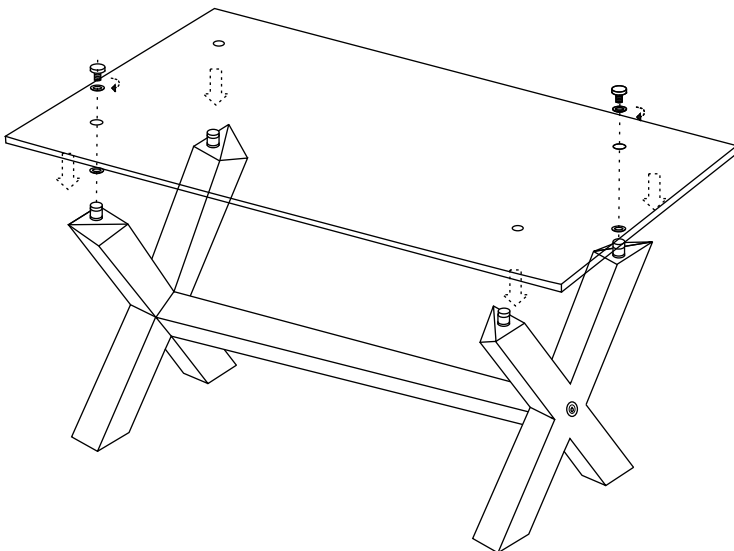
Place the two legs distant enough to fit in the center support. Align the hole in the leg to the hole in the rod. Please ensure the dovetail on the rod gets fitted into the cavity hole on the X-leg. From the opposite side of the leg, insert WASHER A, followed by SPRING WASHER B, then tighten the bolt using the allen key provided. Repeat the same for the second leg.

### STEP 2



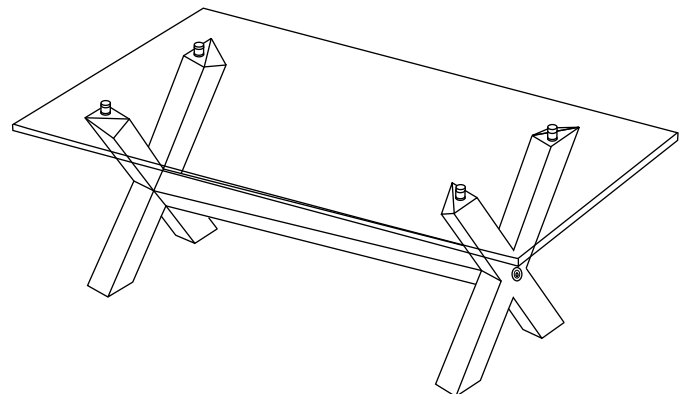
After the center support is fixed, unscrew the metal pins as shown in the picture.

### STEP 3



Put one plastic washer on the metal pin attached to the leg, place the glass such that the four glass holes match to the pins on the legs. Tighten the four metal pins from the top as shown.

### STEP 4



Your furniture piece is ready