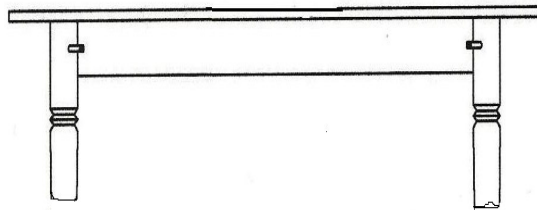


## Assembly Instruction – Coffee, Console, Bench & Lamp Tables

---



**Thank you for purchasing this table from IN LIVING. Please read the instructions and warnings carefully before use to ensure safe installation and operation of this product.**

---

### Recommended Tools



---

**Please ensure leaflet is read in full and retained for future reference.**

This product is **HEAVY**, please unwrap the table carefully, ensuring it is as close as possible to point of use. **Take care when lifting** to avoid personal injury and (or) damage to the product.

It is recommended that this product is only fitted by persons competent in DIY. If in doubt, consult a qualified person.

**ASSEMBLY:**

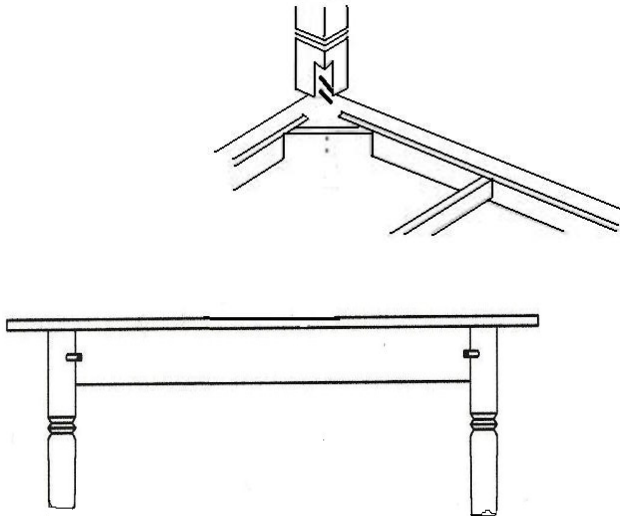
Please note that 2 persons are required for assembly of this table.

Please open the carton box after positioning the flat side down.  
Your box should contain the following:

1. One Coffee, Console or Lamp Table
2. 4 legs with and bolts and nuts fitted on the leg
3. 1 Spanner and 2 spare nuts
4. Care and safety instruction pack.

Place the table on its back with the top of the table facing down. Remove the legs and slot them into the sides through the holes provided. Fasten the nuts firmly to ensure that legs are secure.

Stand the table on its legs



Your product is now ready for use.

**Please retain this information leaflet for future reference.**

Customer Care: 0124 332 4100