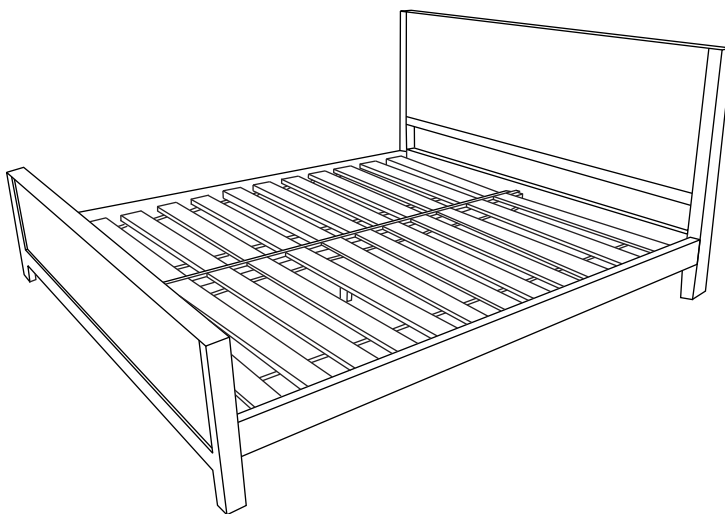


ASSEMBLY INSTRUCTION - BED



Thank you for purchasing this Bed from IN LIVING. Please read the instructions and warnings carefully before use to ensure safe installation and operation of this product.

RECOMMENDED TOOLS



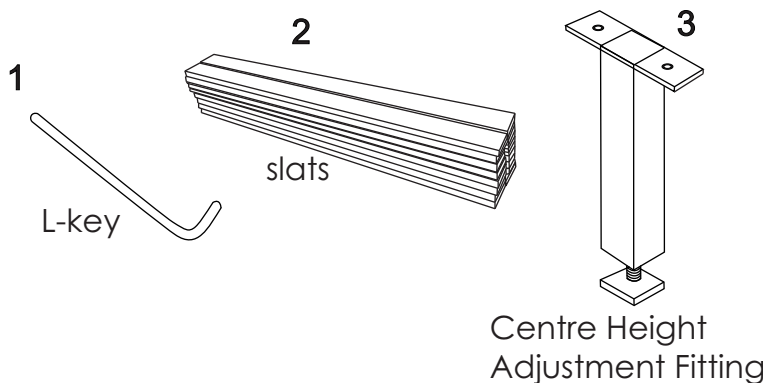
Please ensure leaflet is read in full and retained for future reference.

This product is **HEAVY**, please unwrap the table carefully, ensuring it as close as possible to point of use. **Take care when lifting** to avoid personal injury and (or) damage to the product.

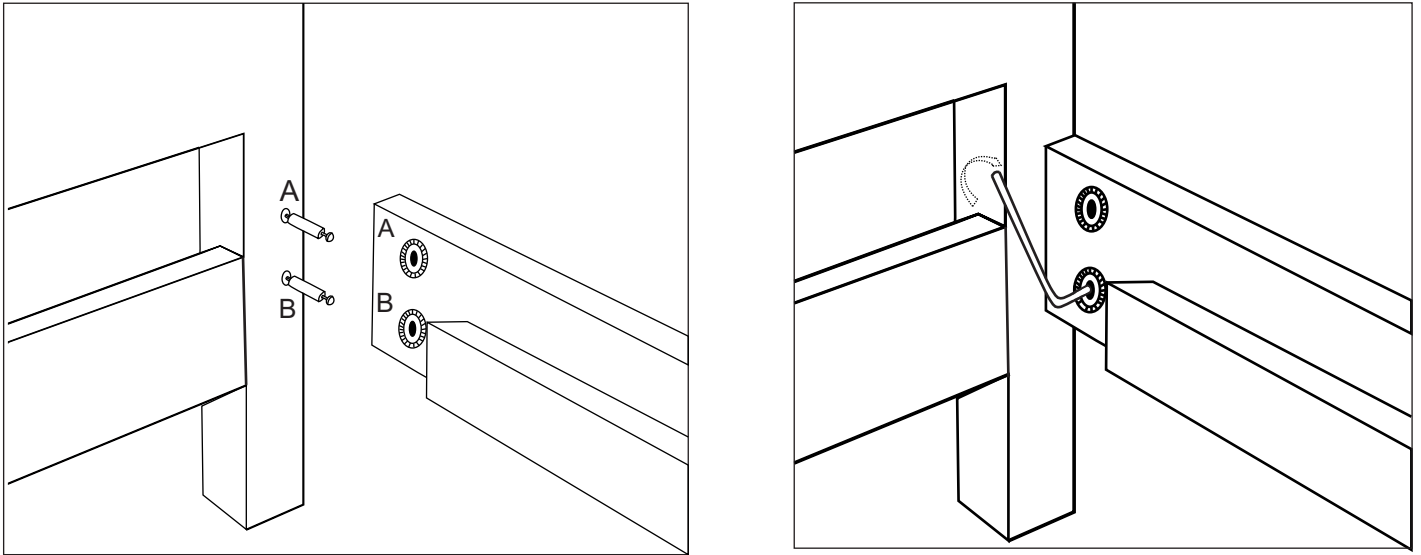
COMPONENTS

Please open the carton box after positioning the flat side down. Your box should contain the following:

- 1) L-key
- 2) slats
- 3) Centre Height Adjustment Fitting

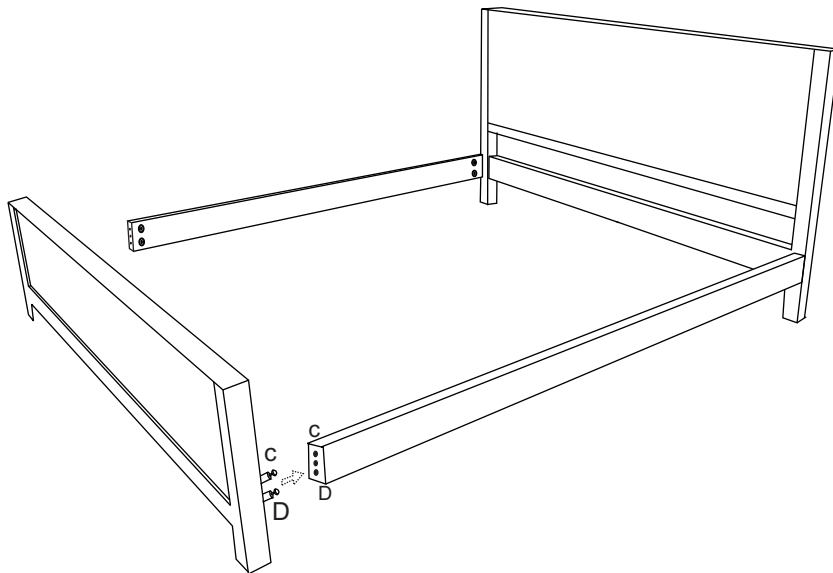


STEP 1



Assemble the side-rails Left and Right to the Headboard, Match A to A and B to B; tighten the fitting with the L key provided by rotating it in a clock wise direction

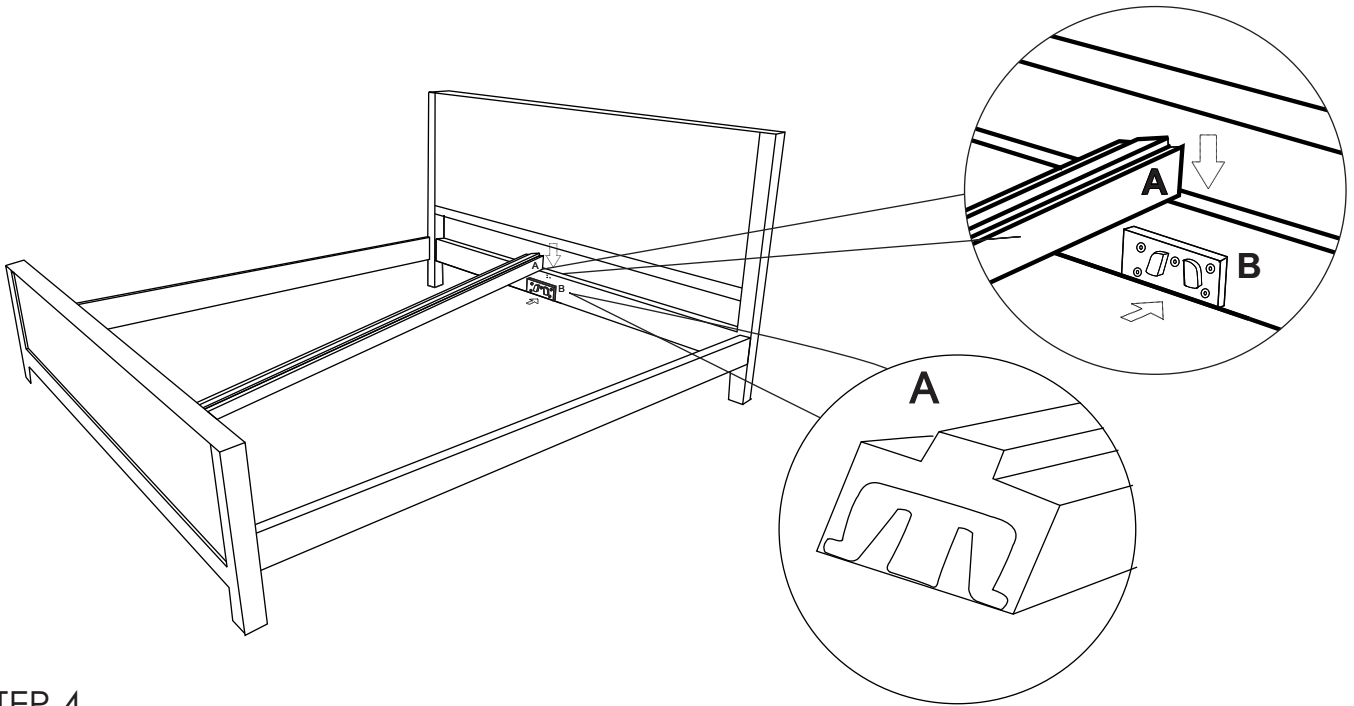
STEP 2



Assemble the Foot Board to the side-rails, by matching C to C and D to D, tighten the fitting with the L key provided by rotating it in a clock wise direction

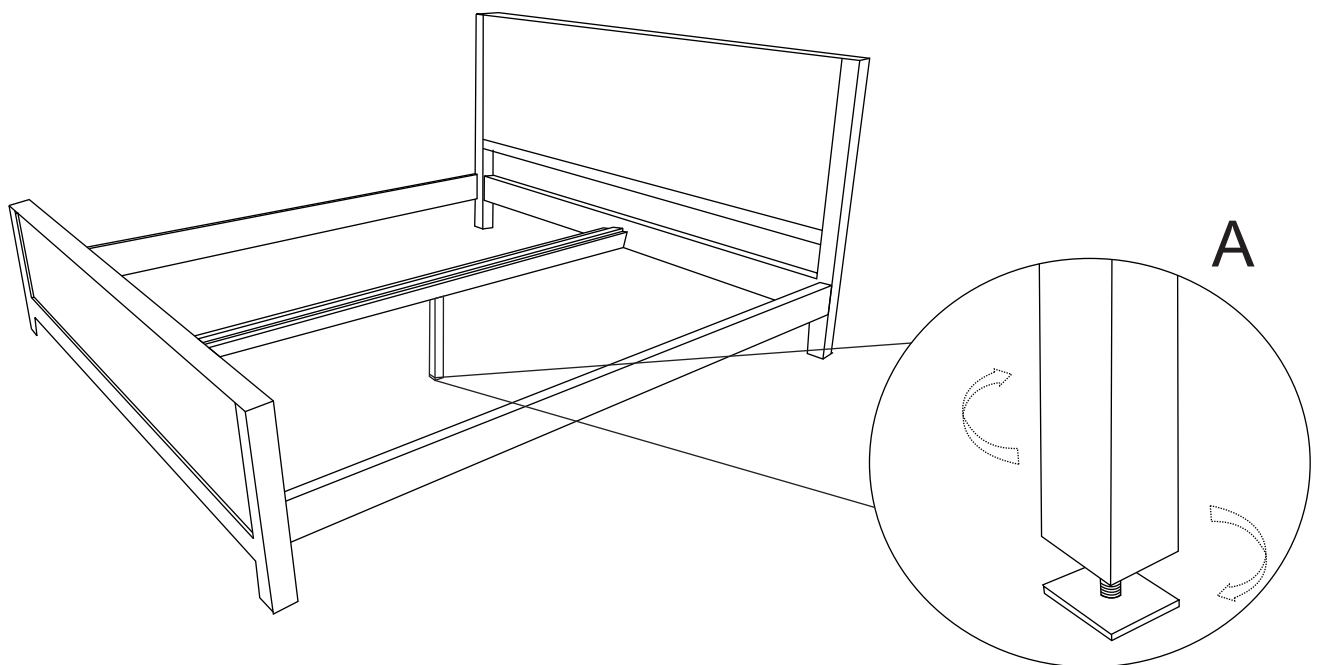
STEP 3

Take the wooden Centre Support Rails(part A), slide it from top to bottom so that it gets settled into the grooves provided in the counter part B



STEP 4

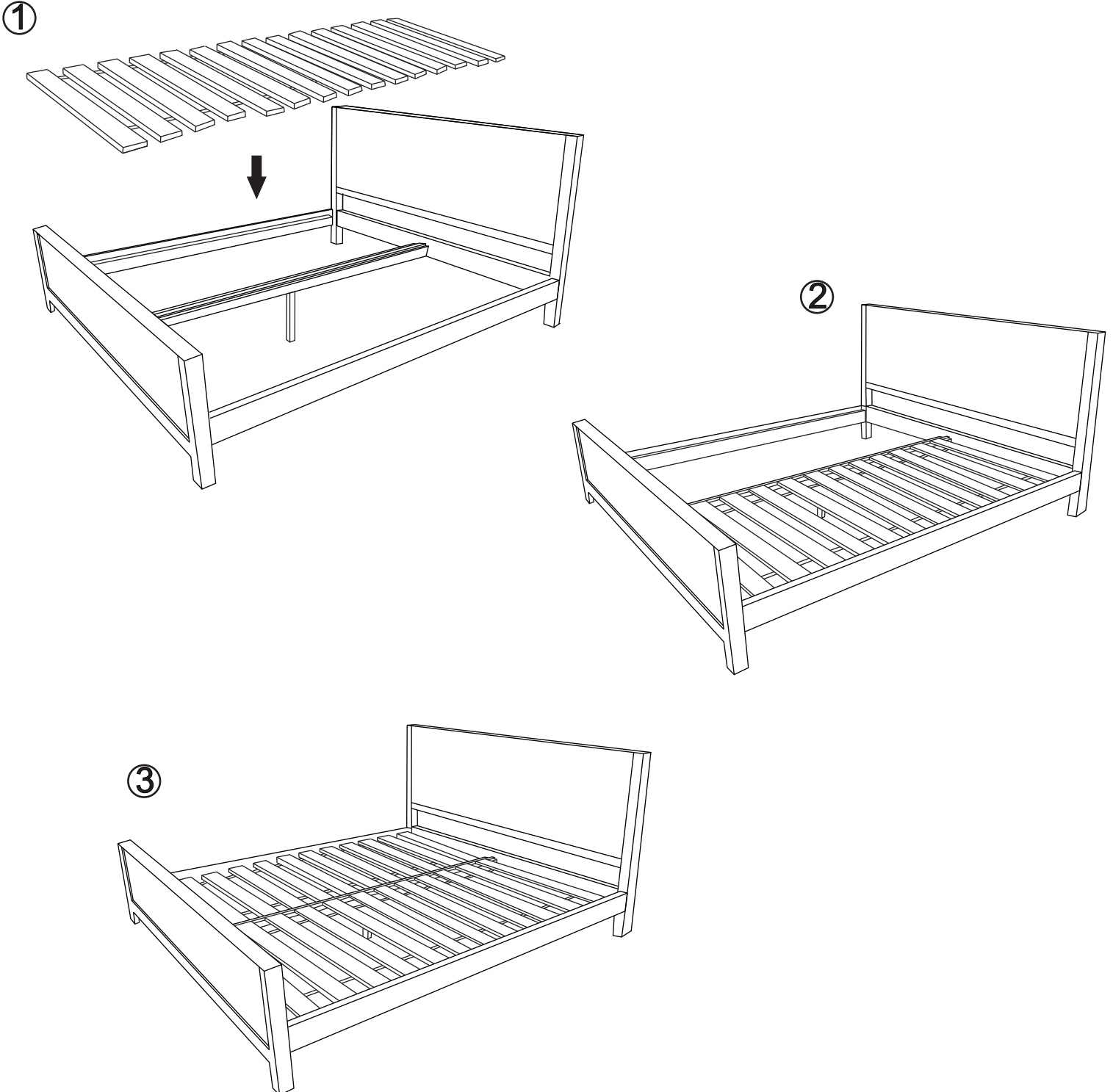
Please adjust height of fittings to ensure that they are touching the floor firmly. This is done by turning the bottom of the fitting clockwise as shown in the picture below (fig A)



STEP 5

The Bed is now ready for the installation of the bed slats .

- 1.Take the slats and put on each half of the bed frame one by one.
- 2.Your Bed is now ready for use.



NUMBER OF COMPONENTS

Parts Required for Bed Assembly	Single Bed	Queen Bed	King Bed	Picture
L- Key	1	1	1	
Centre Height Adjustment Fitting	1	1	1	
Slats	1 set	2 set	2 set	